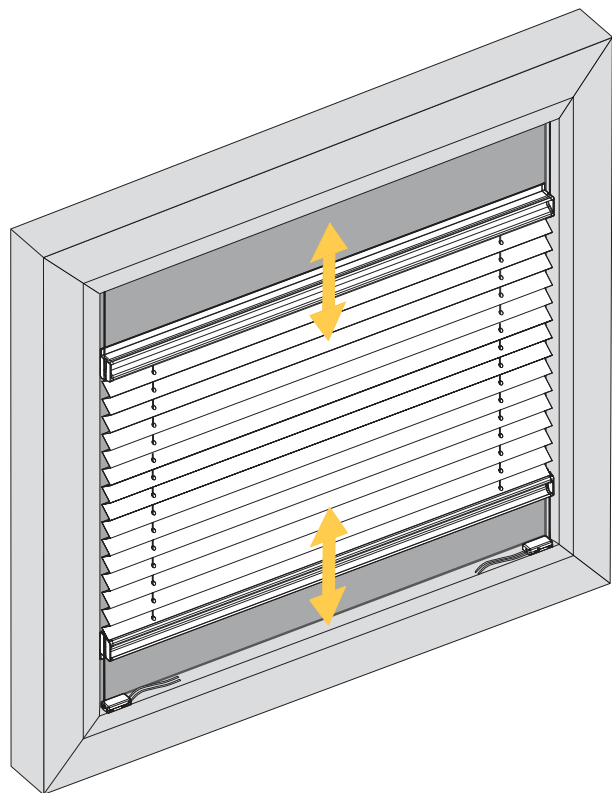
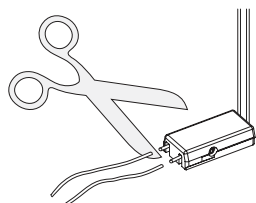


6

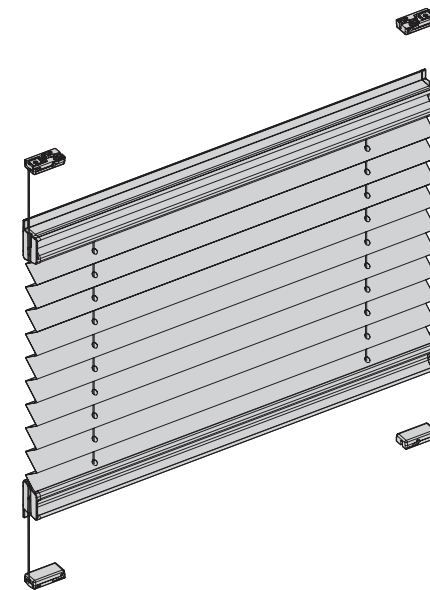
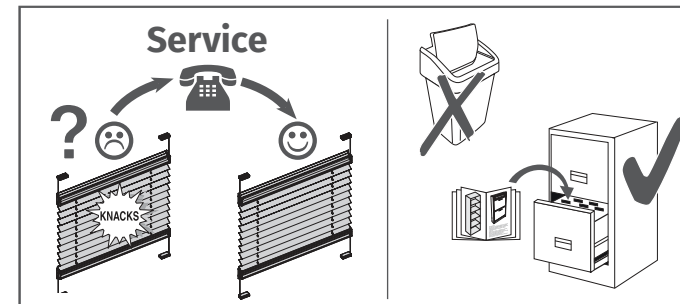


7



Montageanleitung PV 2 Small

- | | |
|--------------------------------|---------------------------------------|
| GB Assembly instruction | NL Montage instructies |
| PL Montaż instrukcje | TR Montaj talimatlar |
| RU Сборка инструкции | IT Istruzioni di installazione |
| FR Assemblée directives | RO Asamblare instrucțiuni |
| SK Montážna navodila | CZ Montáž instrukce |
| HU Gyűlés utasítás | |



© 3/5 980 367



